



DESCRIPTION

CAT6A performance requirements, comply with 10 Gigabit Ethernet application system, suitable for connection between FD to the outlet of the work area, providing up to 550MHz available bandwidth

APPLICATION

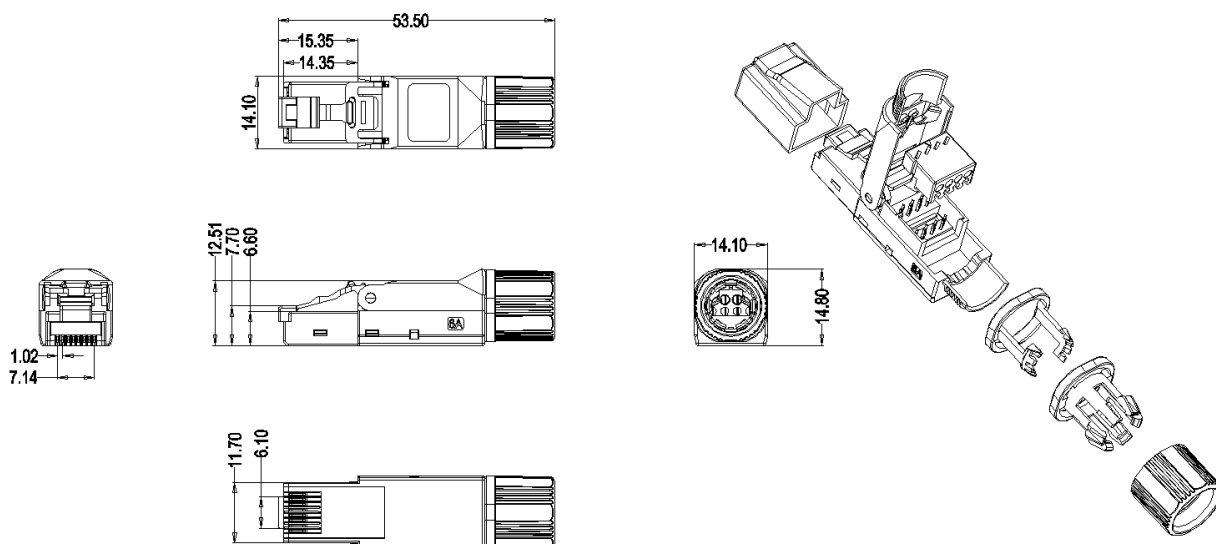
- Unique exterior design, simple, compact and beautiful
- Comply with ergonomic principle and with termination-free design
- Unique PCB circuit board design reduces EMI/RFI interference, low attenuation loss and high return loss
- Overall zinc alloy shielding design meets the industry standards
- Meet the requirements of both T568A/T568B with clear color labels
- Solid and corrosion phosphor bronze IDC enables over 250 terminations
- Accept 24 AWG wires, phosphor bronze contact with 50 μ " gold plate, with a durability of 1500 matching recycles
- The terminating protective cap has a snap-lock design to ensure that the cable avoids excessive bending, detachment, and contact point protection after termination.
- With backward compatibility of CAT 6 and lower classes

Ningbo Doppler Communication Co., Ltd.

No.86 Fengyi Road, Economic Development Zone, Yuyao Zhejiang 315400

Ningbo Doppler Communication Co. Ltd. reserves the right to change specifications without prior notice

PRODUCT DIMENSION



CONSTRUCTION

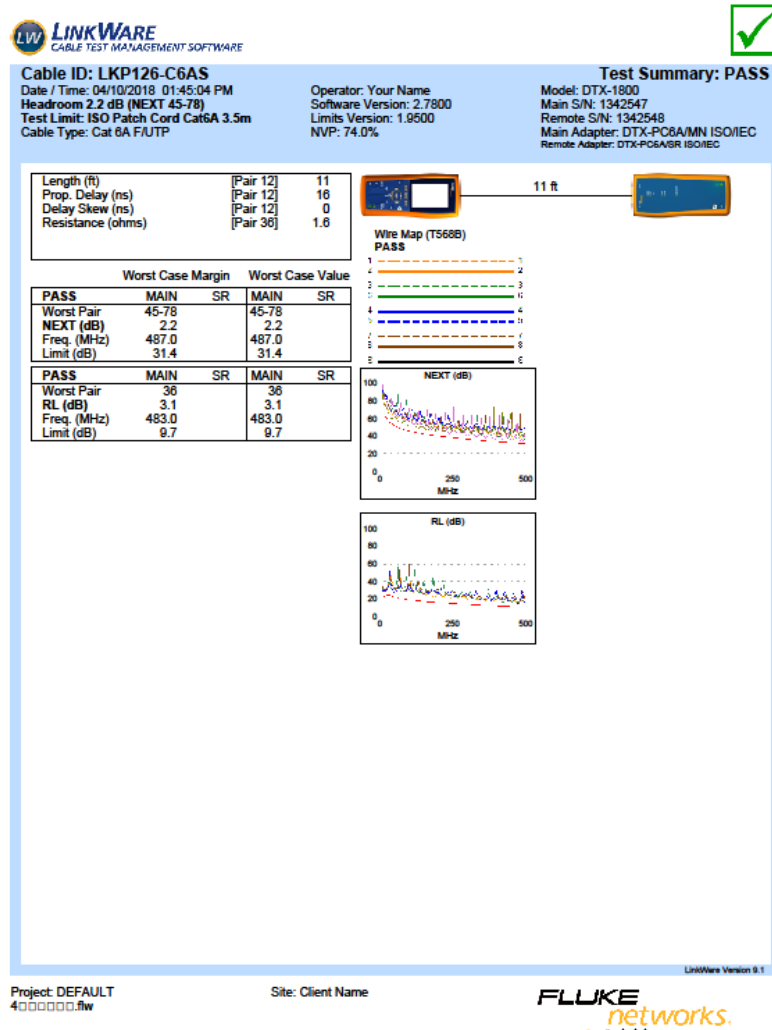
Description	Parameter
Contact resistance(max)	100mΩ
Insulation resistance(min)	500MΩ
Return loss(dB)	5.9dB

Ningbo Doppler Communication Co., Ltd.

No.86 Fengyi Road, Economic Development Zone, Yuyao Zhejiang 315400

Ningbo Doppler Communication Co. Ltd. reserves the right to change specifications without prior notice

PERFORMANCE



ORDER INFORMATION

Part No.	Description	Color	Inner Box	Carton	Carton measurement (L*W*H)	Weight
LKP116-C6AS	Cat6A shielded plug keystone jack	Sliver	1PCS	250PCS	53cm x 31cm x 23cm	8.9KG

Ningbo Doppler Communication Co., Ltd.

No.86 Fengyi Road, Economic Development Zone, Yuyao Zhejiang 315400

Ningbo Doppler Communication Co. Ltd. reserves the right to change specifications without prior notice